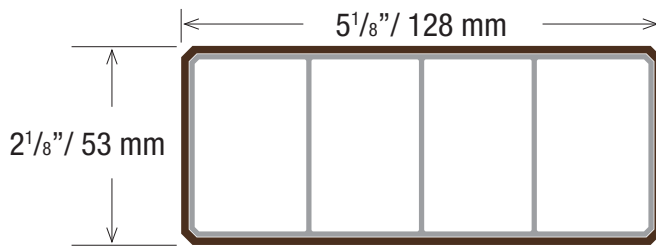


Soleo 6010

Hybrid Aluminum/WPC Architectural Elements

Datasheet



*Technical information may change without warning.
Please ensure you that you reference our latest as shown on our website at www.usa.geolam.com*

Thickness: 2 1/8 in | 53 mm

Width: 5 1/8 in | 128 mm

Section tolerances in mm: + 0.5 / - 2.0

Fire rating:

Non-combustible as per ASTM E-136 (appendix)

Surfaces finish: Sanded

Profiles fastening and installation:

Check our website www.usa.geolam.com

Standard length: 9 ft 10 in | 3.0 m

Or order custom lengths from:

7 ft to 19 ft 8 in | 2.15 m to 6 m

Weight: 1.55 lb/ft | 2.30 kg/m

Secondary moment Ix (cm⁴): 24.61

Secondary moment Iy (cm⁴): 101.53

Section modulus Z+x (cm³): 10.13

Section modulus Z-x (cm³): 10.13

Section modulus Z+y (cm³): 16.43

Section modulus Z-y (cm³): 16.43

Core in anodized aluminum alloy:

A6063S-T5 Serie 6000

Coefficient of Thermal Expansion (20-100°C):

23.4 µm/m/°C

Modulus of Elasticity: 68.9 GPa

Max Tensile Strength: 186 Mpa

Carbon Footprint:

WPC : 1.54 kg CO₂ /Kg

Profile : 9.005 kg CO₂ /Kg

Sanding finish and/or shading may vary between runs

Standard Colors -  Teak and Rosewood stocked in the US, no minimum.
Minimum 1,000 lineal ft. for Moleskin and Ebony.



Teak



Moleskin



Rosewood



Ebony

Non-Standard Colors - 90 day lead time - Minimum order 5,000 lineal ft.



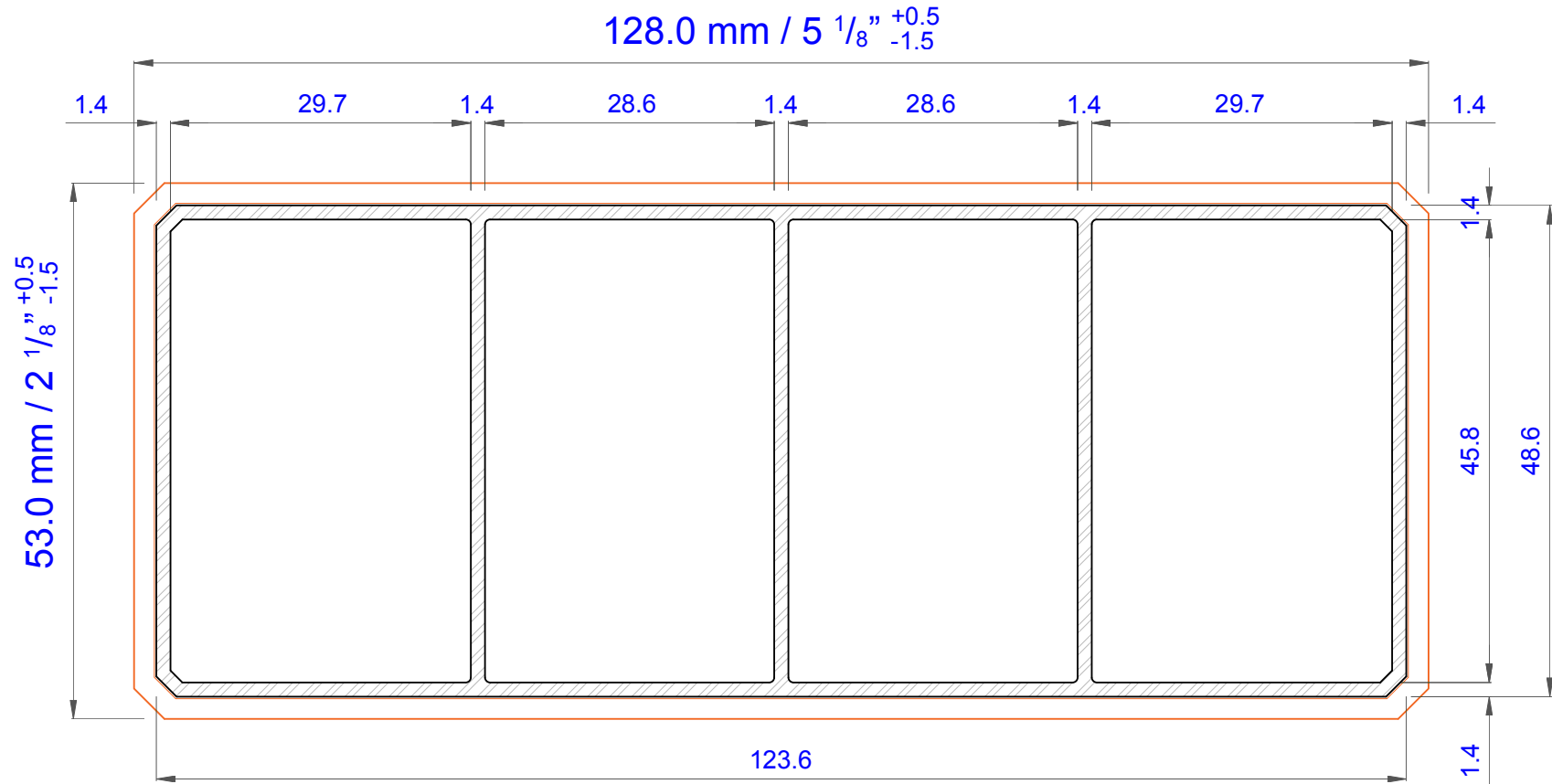
Carbon



Bilinga

Custom Colors Available - Minimum order 6,000 lineal ft.

usa.geolam.com
Toll free: 1-877-627-3530
info@geolaminc.com



Technical specifications, dimensions in mm		Cross section coefficient Z+x (cm ³)	10.13	Wood hybrid system WHS	Type 1.0
Weight (kg/ml)	2.30	Cross section coefficient Z-x (cm ³)	10.13	Soleo 6010	
Cross section, secondary moment Ix (cm ⁴)	24.61	Cross section coefficient Z+y (cm ³)	16.43		
Cross section, secondary moment Iy (cm ⁴)	101.53	Cross section coefficient Z-y (cm ³)	16.43		

