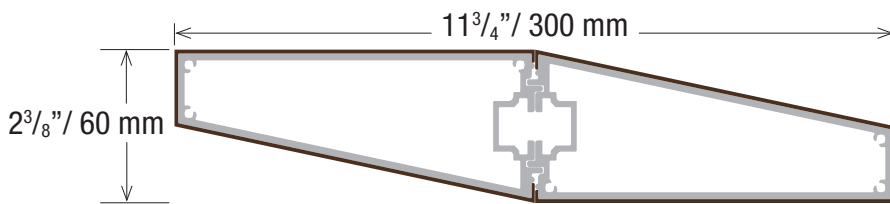


Diameo 2023

Hybrid Aluminum/WPC Architectural Elements

Datasheet



*Technical information may change without warning.
Please ensure you that you reference our latest as shown on our website at www.usa.geolam.com*

Thickness: $2\frac{3}{8}''$ | 60 mm

Width: $11\frac{3}{4}''$ | 300mm

Section tolerances in mm: + 0.5 / - 2.0

Fire rating:

Non-combustible as per ASTM E-136 (appendix)

Surfaces finish: Sanded

Profiles fastening and installation:

Check our website www.usa.geolam.com

Available in Custom lengths Only

Weight: 4.99 lb/ft | 7.43 kg/m

Secondary moment Ix (cm⁴): 92.18

Secondary moment Iy (cm⁴): 1452.49

Section modulus Z+x (cm³): 32.34

Section modulus Z-x (cm³): 32.24

Section modulus Z+y (cm³): 97.81

Section modulus Z-y (cm³): 97.81

Core in anodized aluminum alloy:

A6063S-T5 Serie 6000

Coefficient of Thermal Expansion (20-100°C):

23.4 $\mu\text{m}/\text{m}/^\circ\text{C}$

Modulus of Elasticity: 68.9 GPa

Max Tensile Strength: 186 Mpa

Carbon Footprint:

WPC : 1.54 kg CO₂ /Kg

Profile : 9.005 kg CO₂ /Kg

Sanding finish and/or shading may vary between runs

Standard Colors - Minimum 800 lineal ft. for all colors.



Teak



Moleskin



Rosewood

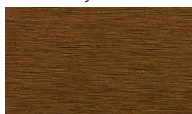


Ebony

Non-Standard Colors - 90 day lead time - Minimum order 5,000 lineal ft.



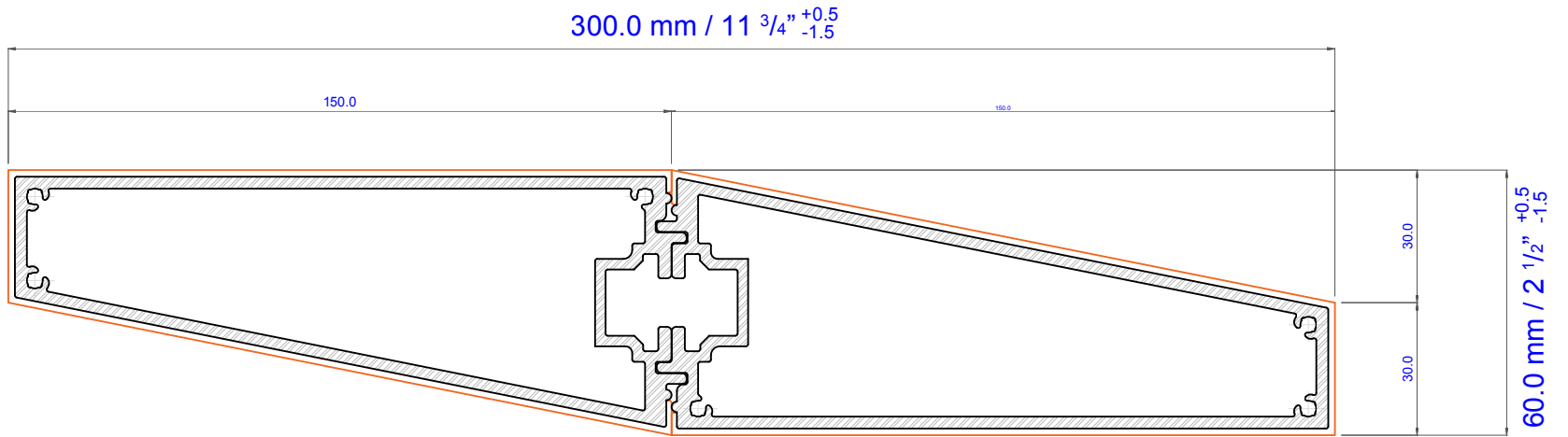
Carbon



Bilinga

Custom Colors Available - Minimum order 6,000 lineal ft.

usa.geolam.com
Toll free: 1-877-627-3530
info@geolaminc.com



| | | | | | |
|---|---------|--|-------|--|----------|
| Technical specifications, dimensions in mm | | Cross section coefficient Z+x (cm ³) | 32.34 | Wood hybrid system WHS | Type 1.0 |
| Weight (lbs/ft) | 4.99 | Cross section coefficient Z-x (cm ³) | 32.34 | <h1>Diameo 2023</h1> www.geolam.com | |
| Cross section, secondary moment Ix (cm ⁴) | 92.18 | Cross section coefficient Z+y (cm ³) | 97.81 | | |
| Cross section, secondary moment Iy (cm ⁴) | 1452.49 | Cross section coefficient Z-y (cm ³) | 97.81 | | |