



INSTALLATION AND MAINTENANCE GUIDE

Cladding & Soffit

Geolam[®]
Architectural Eco-Technology

Asurion HQ, Nashville, TN
Vertigo 5010 - Bilinga

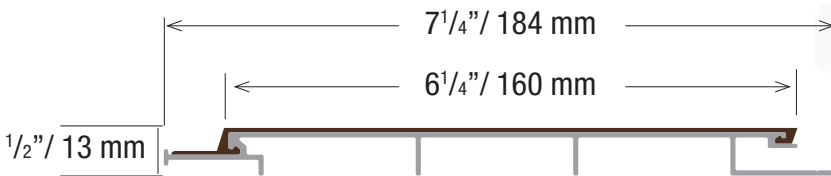
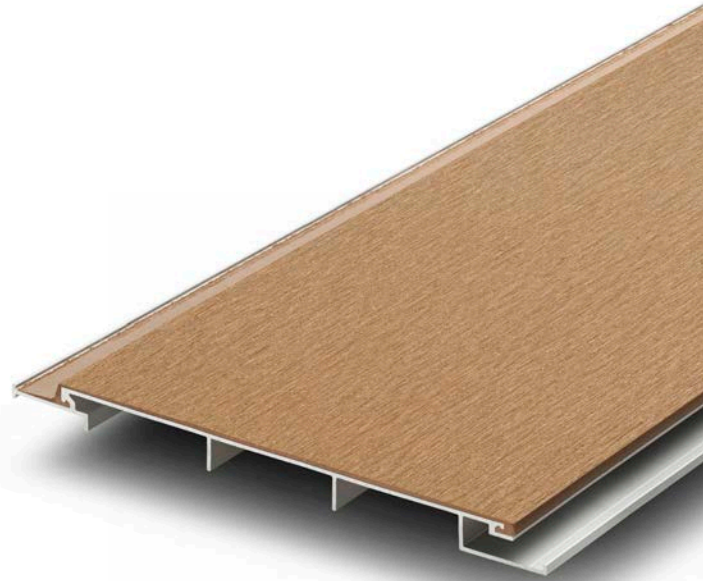
info@geolaminc.com
usa.geolam.com

Vertigo 5010

Geolam[®]
Architectural Eco-Technology

Hybrid Aluminum/WPC Cladding/Soffit

Datasheet



*Technical information may change without warning.
Please ensure you that you reference our latest as shown on our website at www.usa.geolam.com*

Thickness: 1/2 in | 13 mm
Total width: 7 1/4 in | 184 mm
Usable width: 6 1/4 in | 160 mm
Section tolerances in mm: + 0.5 / - 2.0

Fire rating:
Non-combustible as per ASTM E-136 (appendix)

Surfaces finish: Sanded

Profiles fastening and installation:
Check our website www.usa.geolam.com

Standard length: 12 ft | 3.66 m

Or order custom lengths from:
7 ft to 19 ft 8 in | 2.15 m to 6 m

Weight: 0.80 lb/ft | 1.19 kg/m

Secondary moment Ix (cm⁴): 0.56

Secondary moment Iy (cm⁴): 122.03

Section modulus Z+x (cm³): 0.68

Section modulus Z-x (cm³): 0.68

Section modulus Z+y (cm³): 13.47

Section modulus Z-y (cm³): 13.47

Core in anodized aluminum alloy:
A6063S-T5 Serie 6000

Coefficient of Thermal Expansion (20-100°C):
23.4 µm/m/°C

Modulus of Elasticity: 68.9 GPa

Max Tensile Strength: 186 Mpa

Carbon Footprint:
WPC : 1.54 kg CO₂ /Kg
Profile : 9.005 kg CO₂ /Kg

Sanding finish and/or shading may vary between runs

Standard Colors -  All standard colors stocked in the US, no minimum.



Teak



Moleskin



Rosewood

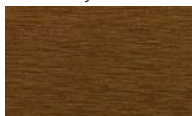


Ebony

Non-Standard Colors - 90 day lead time - Minimum order 5,000 lineal ft.



Carbon



Bilinga

Custom Colors Available - Minimum order 6,000 lineal ft.

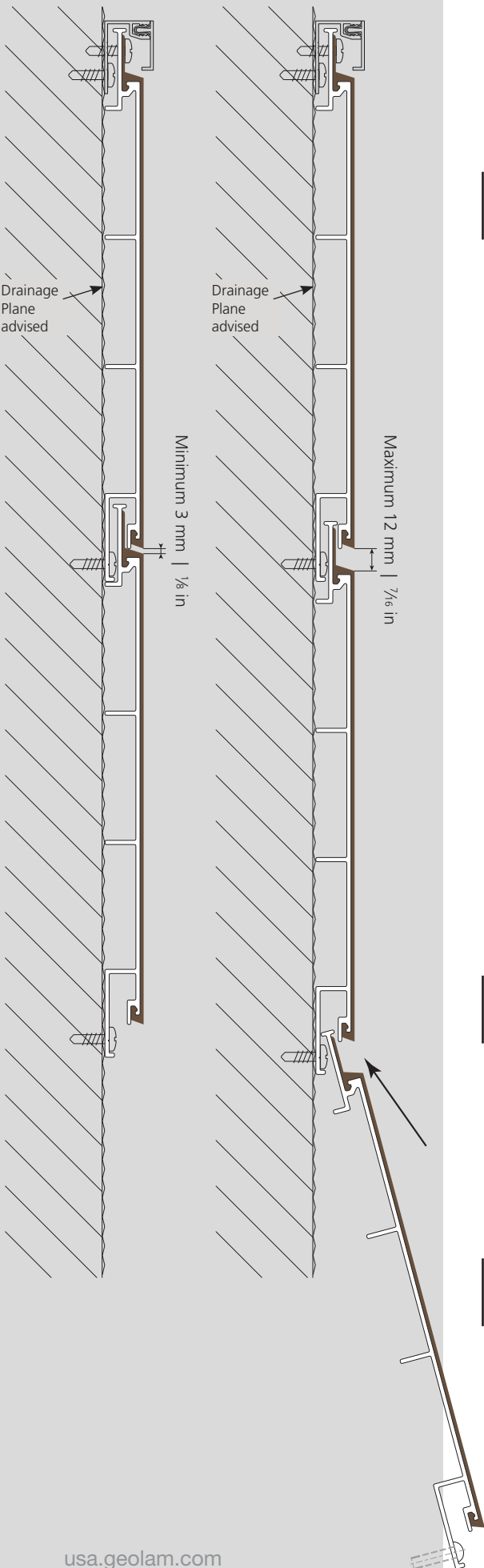
usa.geolam.com
Toll free: 1-877-627-3530
info@geolaminc.com



Vertigo 5010

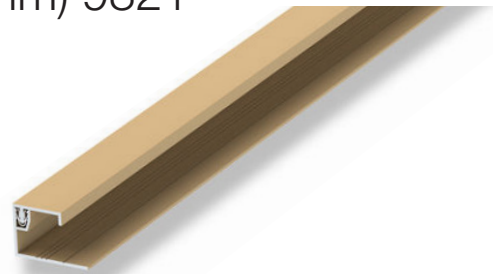
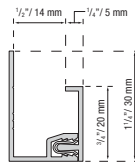
WHS: Wood hybrid system

Datasheet

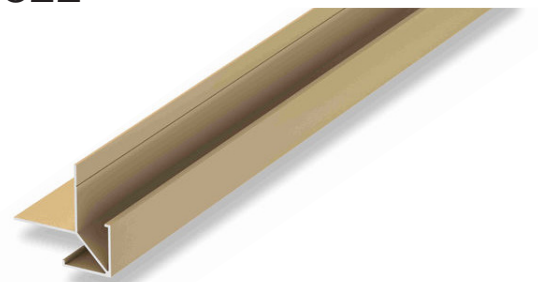
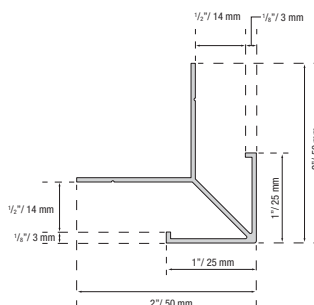


1. Weeping of condensation and air circulation are essential to the health of building products. Although the boards can be mounted directly onto the wall or substrate, it is good building practice to install a drainage plane and mount onto that. Do not seal the top nor bottom of the wall to allow for drainage and air circulation.
2. Geolam boards can be mounted horizontally, vertically, or diagonally directly onto the wall. Over code compliant AVB.
3. Boards may be ripped (cut along their length) as needed.
4. Recommended screws are stainless steel, with an austenitic structure and non-magnetic. Recommended screw diameter is 4 mm, pan head with a diameter of 8.2 mm and length of 19 mm. Maximum 24" o.c.
5. We recommend leaving a 3 mm (1/8") gap between butt ends to allow for expansion/contraction in response to changes in temperature. However, if your design calls for zero-spaced butt joints, please refer to Page 9.
6. The boards may be miter-cut for outside corners or Geolam O/S corners may be used.
6. Exposed screws on the final board may be covered with caulking if desired or our color-matched 2-piece starter/'J' trim as shown below.

2-Piece Starter (J-trim) 9321



Outside Corner 9322

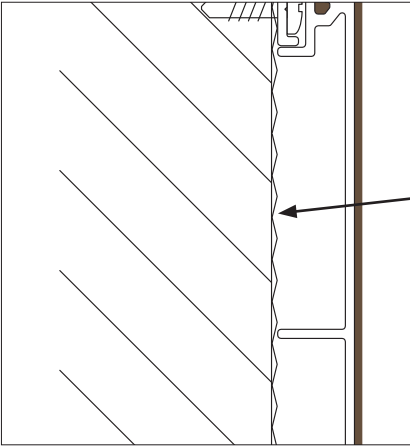




Vertigo 5010

Drainage planes

Drainage planes are water repellent materials that are located behind the cladding and are designed and constructed to allow airflow and water drainage.



Kingspan GreenGuard MAX Building Wrap

Some drainage plane manufacturers:

- Tyvek Stucco wrap
- TYPAR® Drainable Wrap
- HydroGap® Drainable Housewrap
- Kingspan GreenGuard MAX Building Wrap

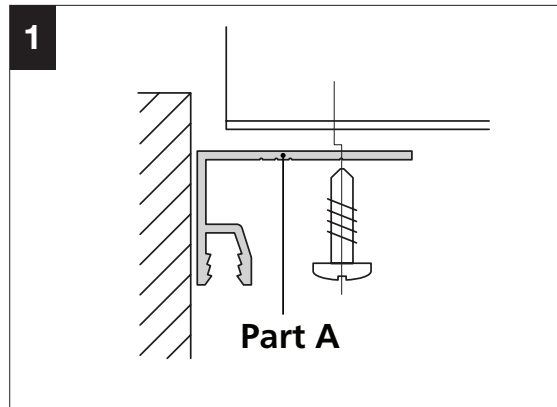
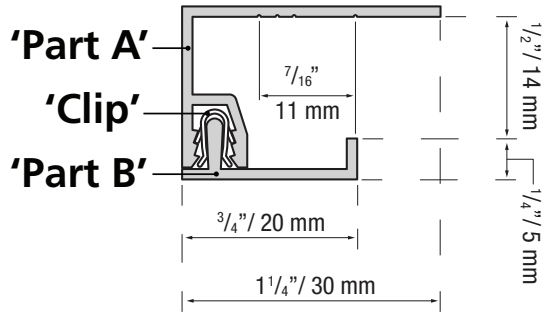
Installation videos

[Click here to watch videos on how to install Vertigo 5010 with a drainage plane or furring strips](#)

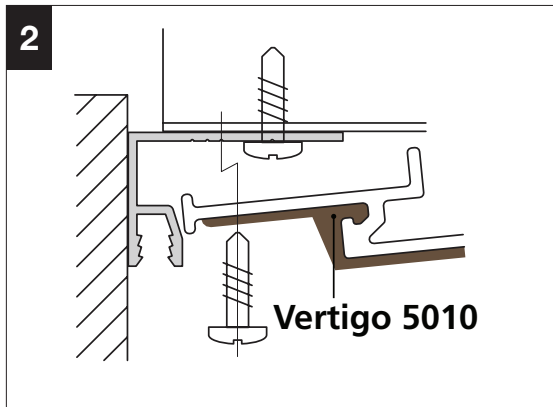


Vertigo 5010

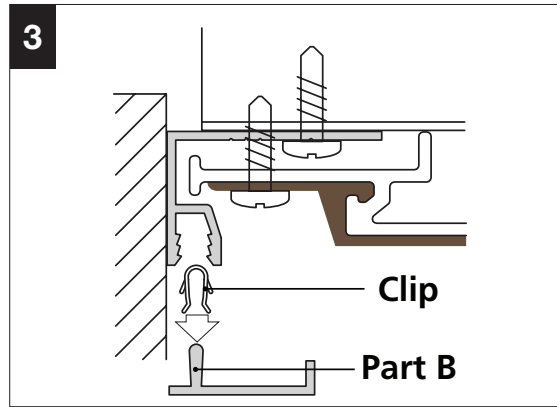
Installation of J-trim



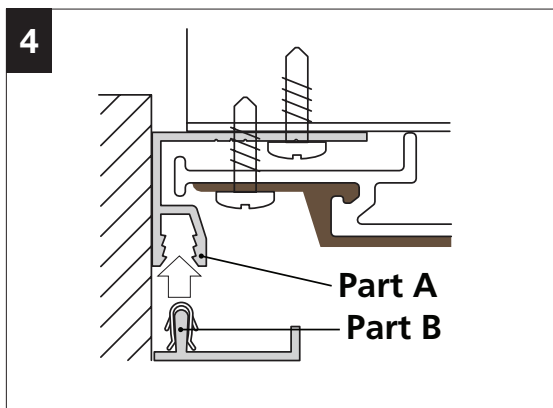
1. Fasten Part A of the J-trim to the wall as shown (ss screws recommended)



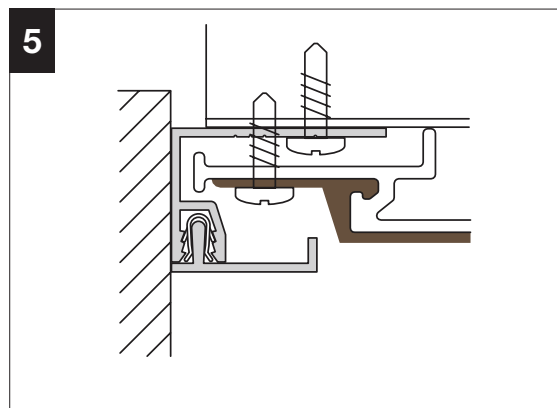
2. Screw the Geolam Vertigo board through the J-trim into the wall every 24"



3. Attach the metal clips onto Part B every 16" (40 cm) as shown



4. With a rubber mallet tap Part B into Part A



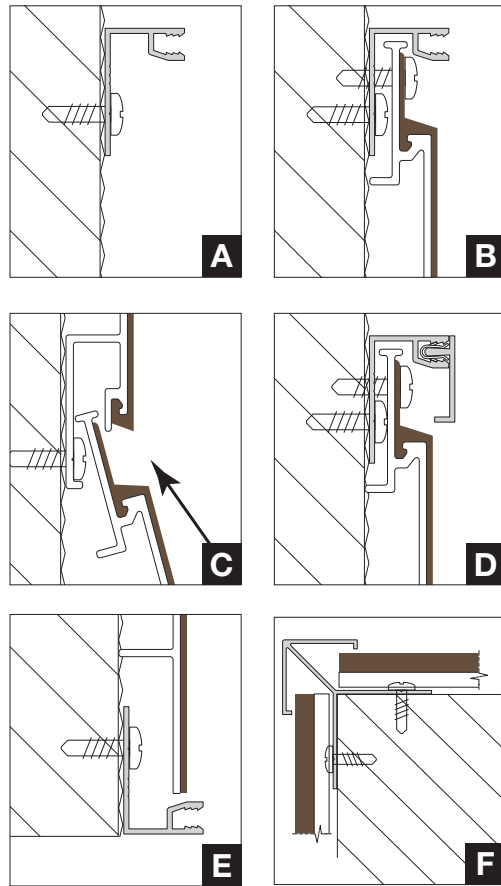
5. Final assembled J-trim



Vertigo 5010

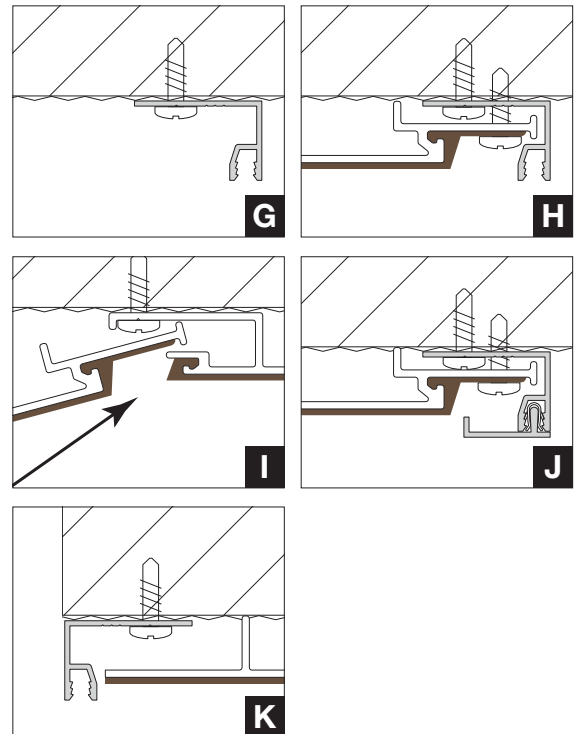
Cladding Installation

1. Install 2-Piece Starter/"J" or other trim component at top and bottom of wall (A)
2. If outside corners are not mitered, install Outside Corners before cladding (F)
3. Install top course first panel and screw at maximum 24" (B)
4. Install next panel with selected joint reveal gap and secure (C)
5. Install adjacent panels leaving 1/8" or 3mm between butt joints
6. Cut last panel as needed to fit into "J"/ Starter Trim and secure (E)



Soffit Installation

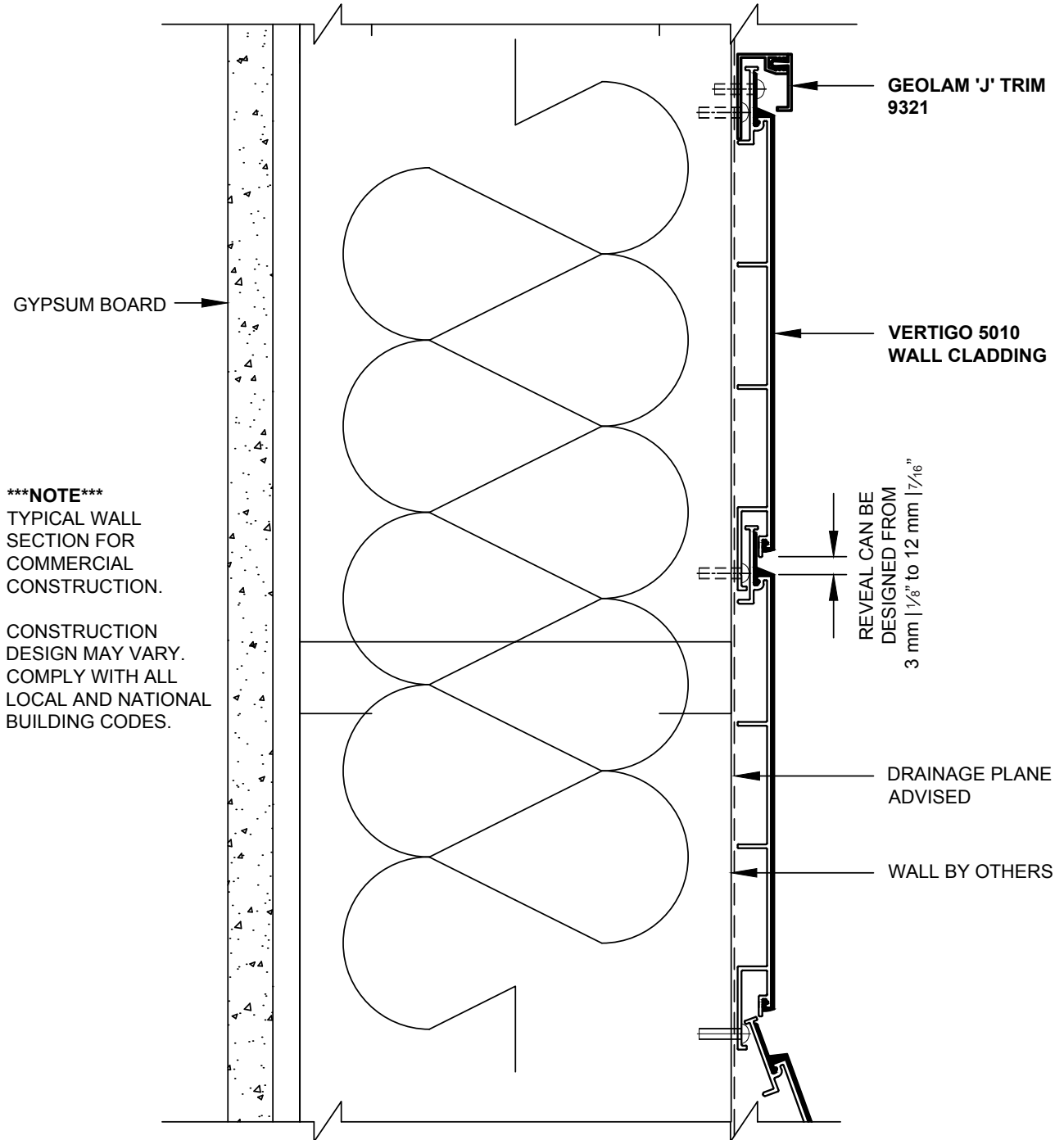
1. Install 2-Piece Starter/"J" at perimeter terminations (G)
2. Install first course into trim component and secure into place (H)
3. Slide adjacent panels with selected joint reveal gap and secure (I)
4. Install adjacent panels leaving 1/8" or 3mm between butt joints
5. Cut last panel as needed to fit into "J"/ Starter Trim and secure (K)





Vertigo 5010

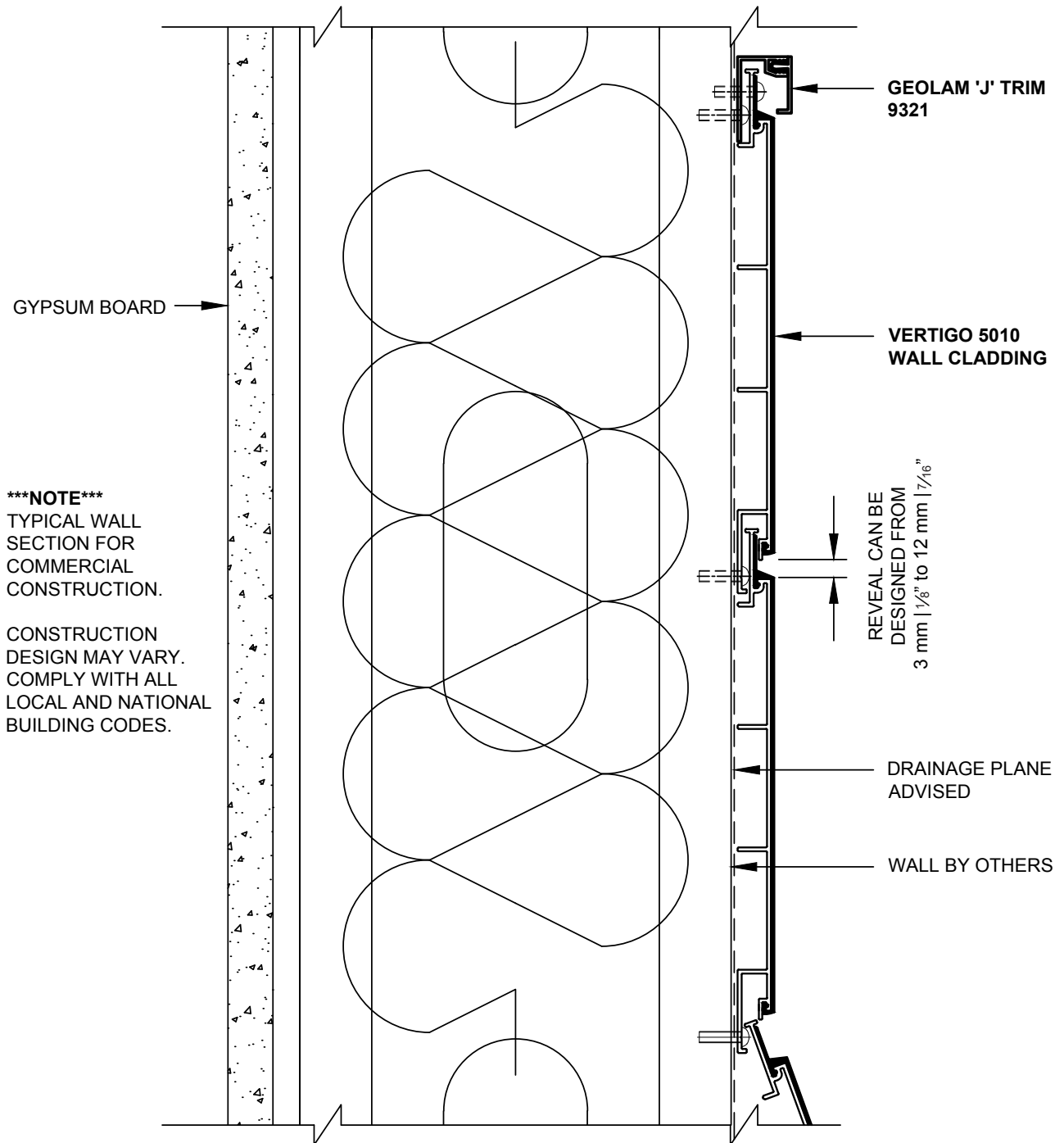
Cladding – Vertical Orientation Wall Detail (Plan View)





Vertigo 5010

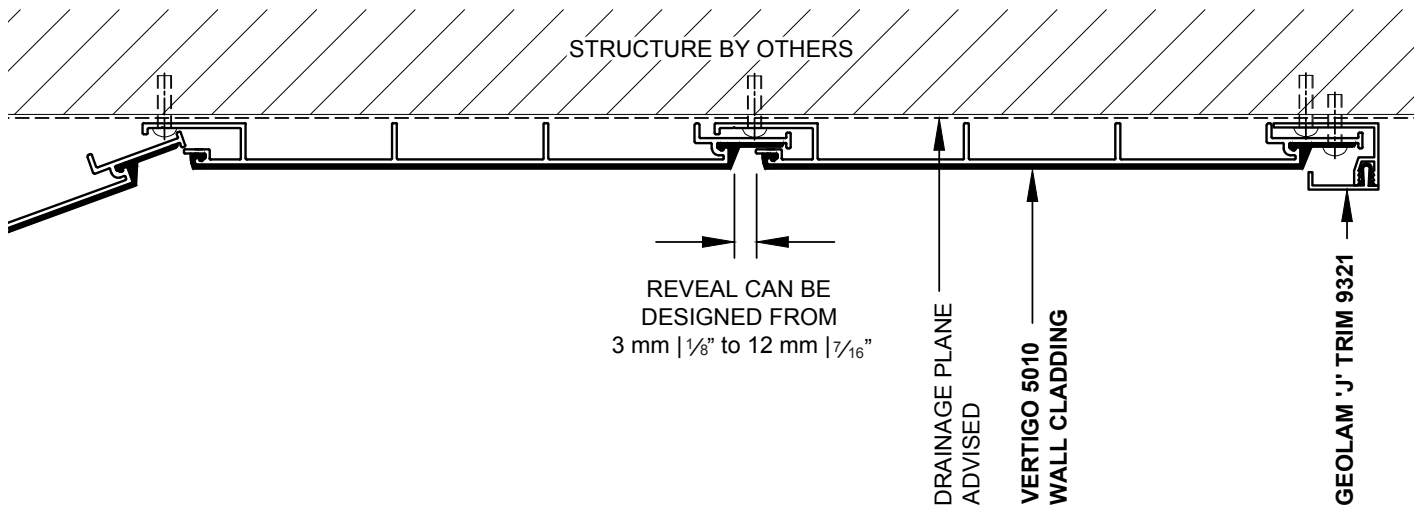
Cladding – Horizontal Orientation Wall Detail (Plan View)





Vertigo 5010

Soffit (Plan View)

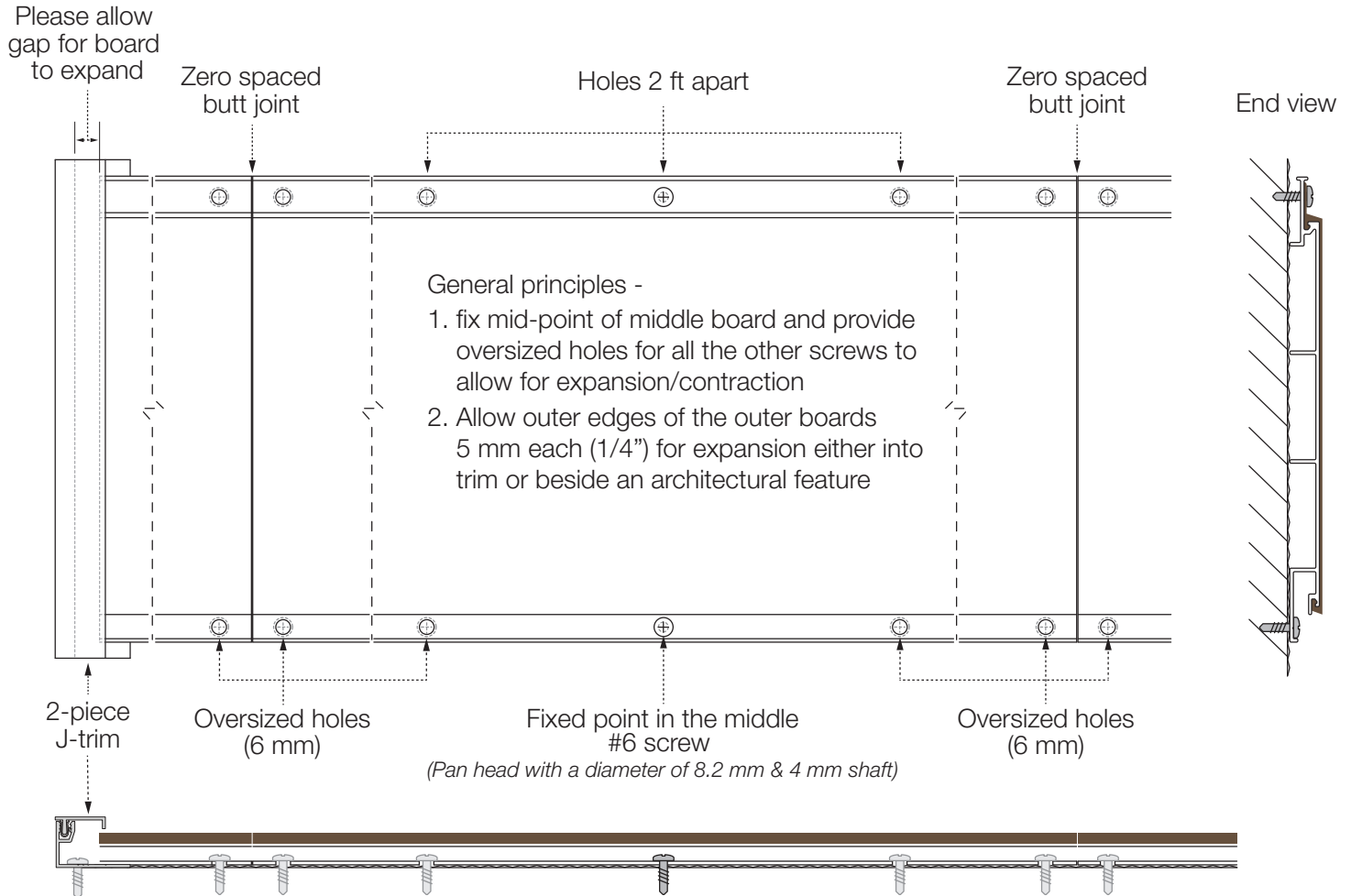




Vertigo 5010

Alternative butt joint - zero spacing

3 boards mounted horizontally



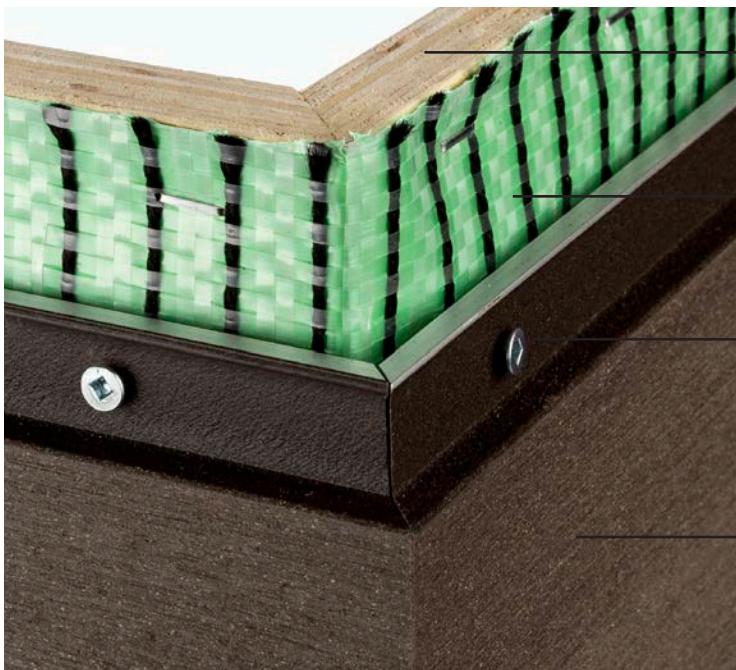
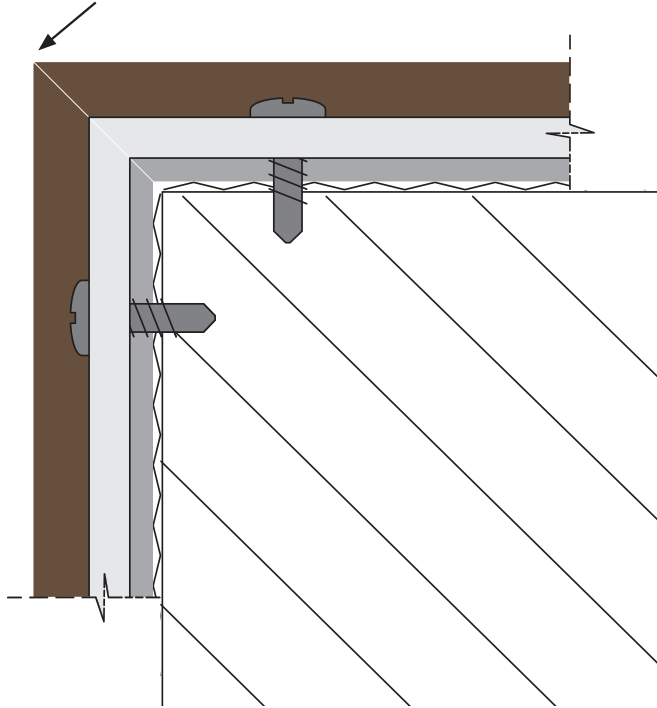
Outside boards expand into trim pieces or beside an architectural feature



Vertigo 5010

Mitered corner

Warning: mitered corners may be sharp!



Solid Substrate

e.g. OSB Plywood

Drainage Plane

e.g. Kingspan GreenGuard® MAX Building Wrap

#4 Stainless Steel Screw

Geolam Vertigo 5010