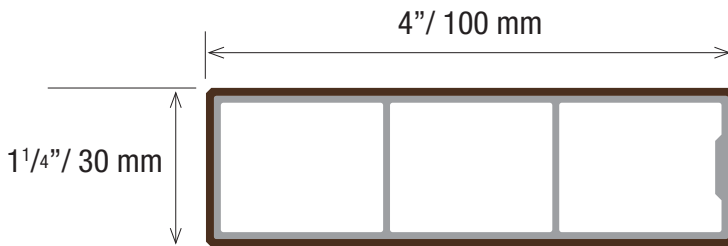


Soleo 6009

Geolam[®]
Architectural Eco-Technology

Hybrid Aluminum/WPC Architectural Elements

Datasheet



*Technical information may change without warning.
Please ensure you that you reference our latest as shown on our website at www.usa.geolam.com*

Thickness: 1 1/4 in | 30 mm

Width: 4 in | 100 mm

Section tolerances in mm: + 0.5 / - 2.0

Fire rating:

On request before order

Surfaces finish: Sanded

Profiles fastening and installation:

Check our website www.usa.geolam.com

Standard length: 9 ft 10 in | 3.0 m

Or order custom lengths from:

7 ft to 19 ft 8 in | 2.15 m to 6 m

Weight: 0.94 lb/ft | 1.40 kg/m

Secondary moment I_x (cm⁴): 4.82

Secondary moment I_y (cm⁴): 38.74

Section modulus Z_{+x} (cm³): 3.57

Section modulus Z_{-x} (cm³): 3.57

Section modulus Z_{+y} (cm³): 8.26

Section modulus Z_{-y} (cm³): 7.73

Core in anodized aluminum alloy:

A6063S-T5 Serie 6000

Coefficient of Thermal Expansion (20-100°C):

23.4 μm/m/°C

Modulus of Elasticity: 68.9 GPa

Max Tensile Strength: 186 Mpa

Carbon Footprint:

WPC : 1.54 kg CO₂ /Kg

Profile : 9.005 kg CO₂ /Kg

Sanding finish and/or shading may vary between runs

Standard Colors - Minimum 1,000 lineal ft. for all colors.



Teak



Moleskin



Rosewood



Ebony

Non-Standard Colors - 90 day lead time - Minimum order 5,000 lineal ft.



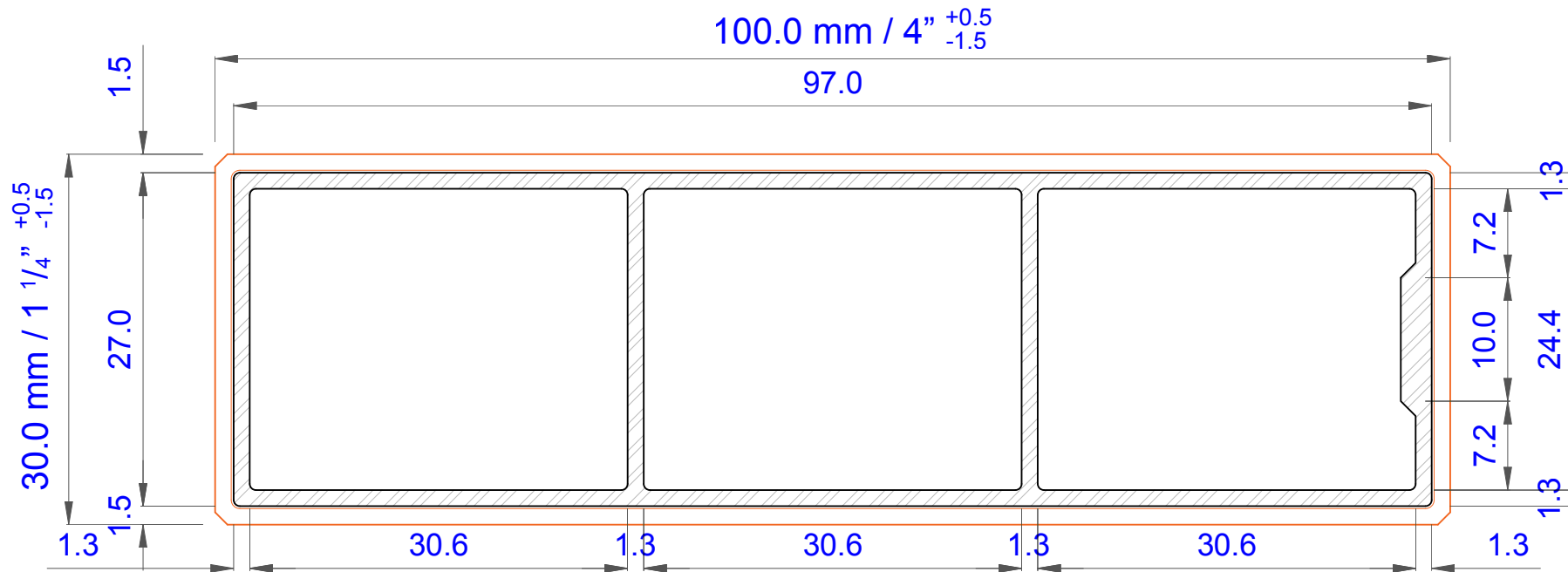
Blackwood



Bilinga

Custom Colors Available - Minimum order 6,000 lineal ft.

www.usa.geolam.com
Toll free: 1-877-627-3530
info@geolaminc.com



Spécifications techniques, cotes en mm		Module d'inertie Z+x (cm ³)	3.57	Bois hybride WHS	Type 1.0
Poids (kg/ml)	1.40	Module d'inertie Z-x (cm ³)	3.57		
Moment quadratique Ix (cm ⁴)	4.82	Module d'inertie Z+y (cm ³)	8.26	Soleo 6009	
Moment quadratique Iy (cm ⁴)	38.74	Module d'inertie Z-y (cm ³)	7.73		

Geolam
www.geolaminc.com