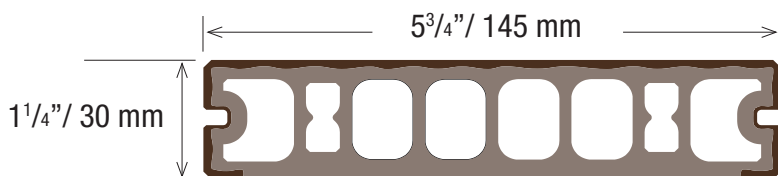


Qualita 020C

Geolam[®]
Architectural Eco-Technology

Commercial Decking

Datasheet



*Technical information may change without warning.
Please ensure you that you reference our latest as shown on our website at www.geolaminc.com*

Thickness: 1 1/4 in | 30 mm
Width: 5 3/4 in | 145 mm
Section tolerances in mm: +0.5 / - 1.5

Technology: 2G, co-extruded

Surfaces finish: 1 side sanded

Standard length: 12ft | 3.67m

Weight: 2.22 lb/ft | 3.30 kg/lm

Joist spacing: 24 in | 60 cm

Water absorption property:

Coefficient : 0.1%

Length (ratio of change): 0 %

Strength:

Bending strength: 35-40 Mpa

Charpy Impact: 6-7 KJ/m²

Young's modulus: 4500 Mpa

Temperature characteristics:

Bending strength: 101.7°C

Linear expansion coefficient:

4×10^{-5} (1/°C)

SAFETY

Volatile constituent (in mg/L):

Formaldehyde emission:

Min. < 0.1 | Max.< 0.1

Toxic substance elution:

Cd : < 0.01

Pb : < 0.01

Hg : < 0.0005

Se : < 0.01

As : < 0.01

Cr (VI) : < 0.05

Skid resistance (in CSR):

Dry : 0.70

Wet : 0.71

Wet plus Dust : 0.42

Antistatic:

Friction between urethane resin: < 2 KV

On demand: Low Temp[®] treatment.*

Surface temperature reduction from 5 to 10°C.

* Custom orders only

Sanding finish and/or shading may vary between runs

Standard Colors -  All standard colors stocked in the US, no minimum.



Teak



Moleskin



Rosewood



Ebony

Non-Standard Colors - 90 day lead time - Minimum order 5,000 ft.



Ivory



Blackwood

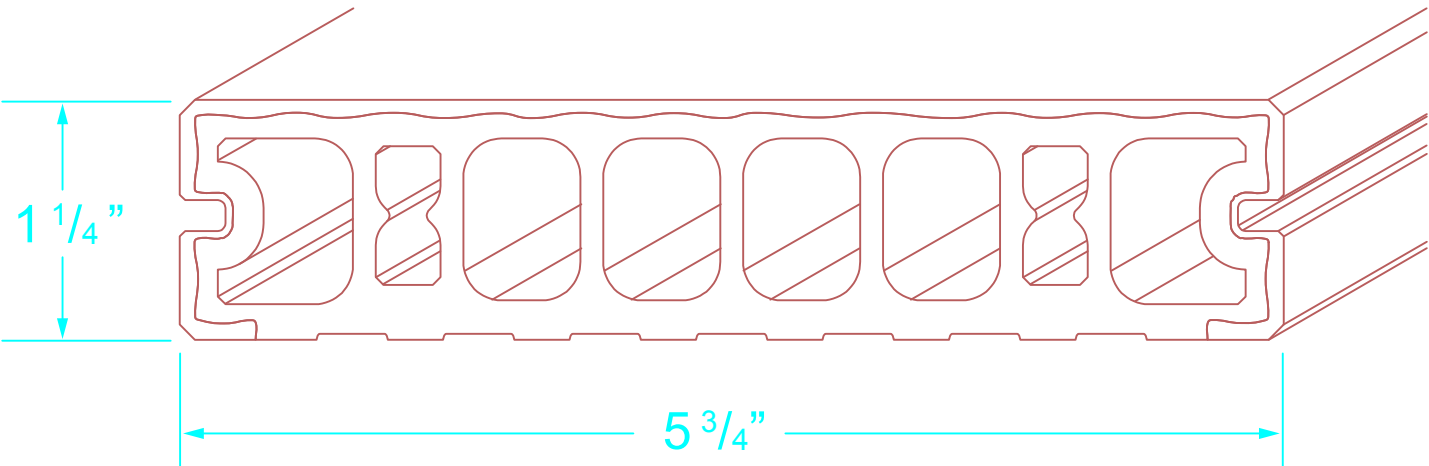


Bilinga

Custom Colors Available - Minimum order 10,000 ft.

www.geolaminc.com
Toll free: 1-877-627-3530
info@geolaminc.com

Trim Length: - Per customers specification
Weight per lineal ft.: - Qualita 020C = 2.22 lbs



Qualita 020C

Geolam
Architectural Eco-Technology

Title	WPC Decking Qualita 020C	
Drawn	RP	Revision
Date	3/4/19	Date