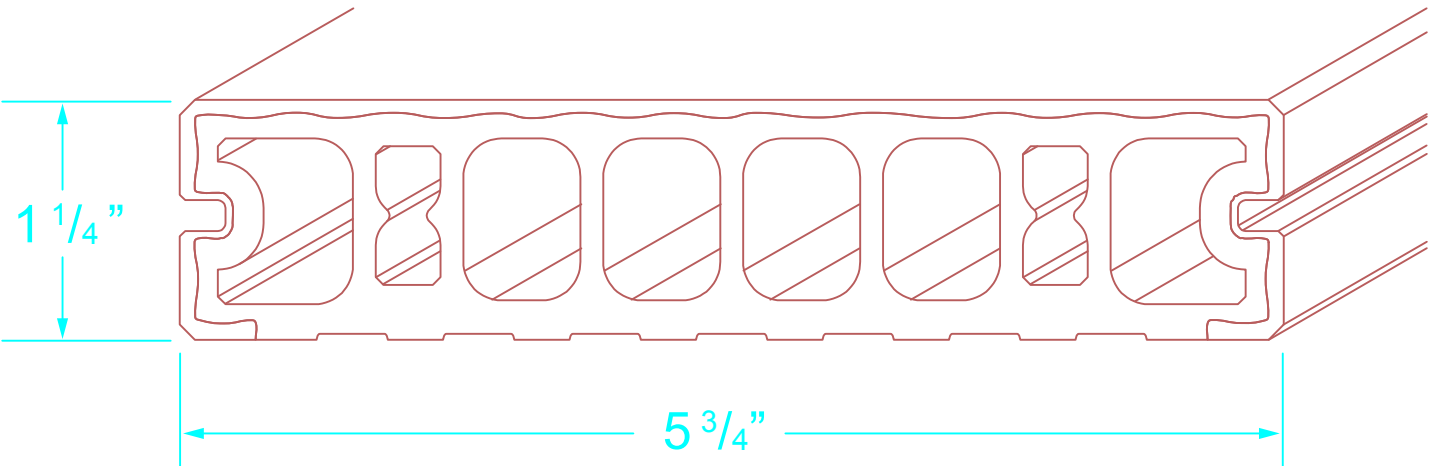


Trim Length: - Per customers specification
Weight per lineal ft.: - Qualita 020C = 2.22 lbs



Qualita 020C

Geolam
Architectural Eco-Technology

Title	WPC Decking Qualita 020C	
Drawn	RP	Revision
Date	3/4/19	Date