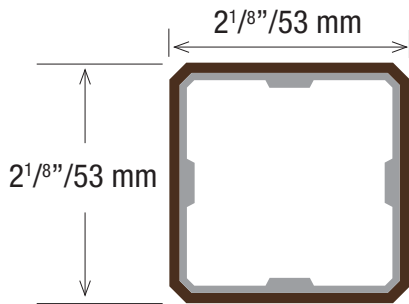


Careo 7011

Geolam[®]
Architectural Eco-Technology

Hybrid Aluminum/WPC Architectural Elements

Datasheet



Thickness: 53 mm | 2 1/8 in

Width: 53 mm | 2 1/8 in

Section tolerances in mm: + 0.5 / - 2.0

Fire rating:

On request before order

Surfaces finish: sanded

Standard length: 3.00 m | 9 ft 10 in

Or order any length from:

2.45 m | 8 ft to 5.48 m | 18 ft

Weight: 1.25 kg/lm | 0.84 lb/ft

Secondary moment Ix (cm⁴): 11.40

Secondary moment Iy (cm⁴): 11.40

Section modulus Zx (cm³): 4.70

Section modulus Zy (cm³): 4.70

Core in anodized aluminum alloy:

A6063S-T5

Coefficient of Thermal Expansion:

(20-100°C) : 23.4 µm/m/°C

Modulus of Elasticity: 68.6 GPa

Tensile Strength: 186 Mpa min

Core cross section (mm²): 334.50

Standard Colors - Minimum 1,000 ft for all colors:



Teak



Moleskin

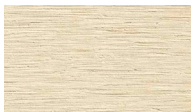


Rosewood



Ebony

Non-Standard Colors - 90 day lead time - Minimum order quantities apply:



Ivory



Blackwood

Custom Colors Available for orders >6,000 sq. ft.

www.geolaminc.com
Toll free: 1-877-627-3530
info@geolaminc.com