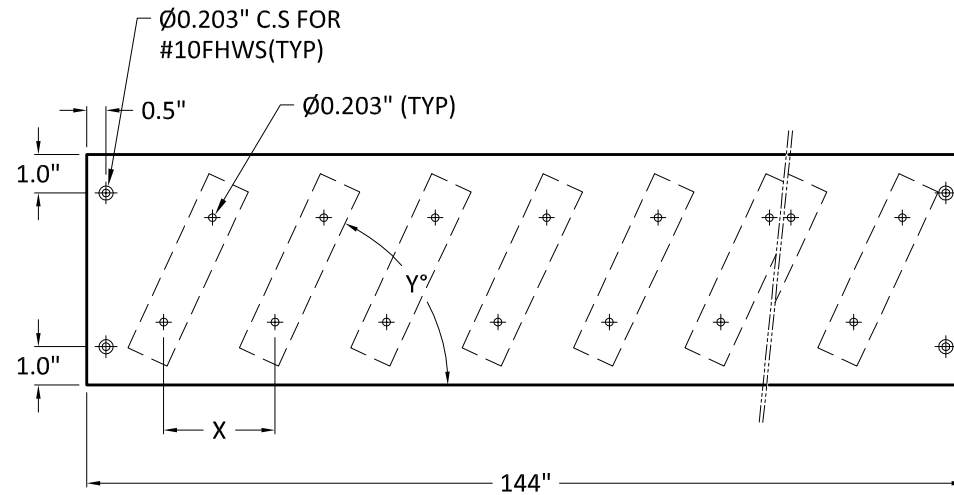


SCALE 1:2



SCALE 1:5

PROPRIETARY AND CONFIDENTIAL  
 THE INFORMATION CONTAINED IN THIS DRAWING IS THE SOLE PROPERTY OF MONARCH METAL FABRICATION. ANY REPRODUCTION IN PART OR AS A WHOLE WITHOUT THE WRITTEN PERMISSION OF MONARCH METAL FABRICATION IS PROHIBITED.

MATERIAL  
 FINISH  
 DO NOT SCALE DRAWING

	NAME	DATE
DRAWN	GURU	22/03/19
CHECKED	CHRIS	



TITLE: SOLEO 6031 LOUVER ASSEMBLY		
SIZE: A4	DWG. NO.	REV
SCALE: 1:2, 1:5	WEIGHT: ≈ lbs/ft	SHEET 1 OF 1